

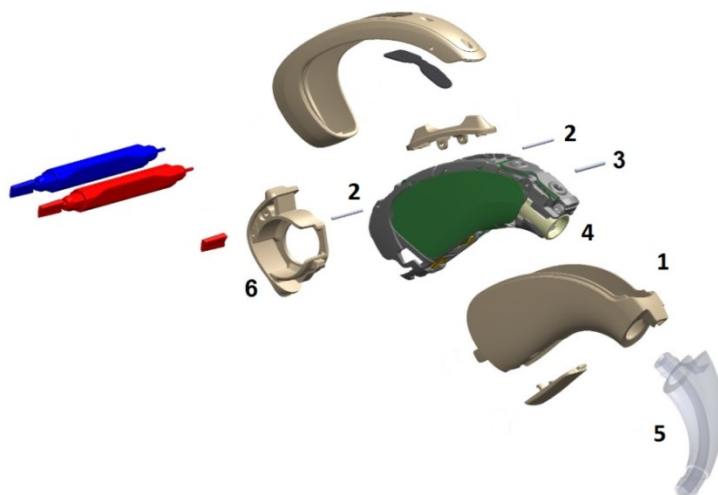
lewi family

Contents

lewi S.....	2
lewi R.....	4

lewi S

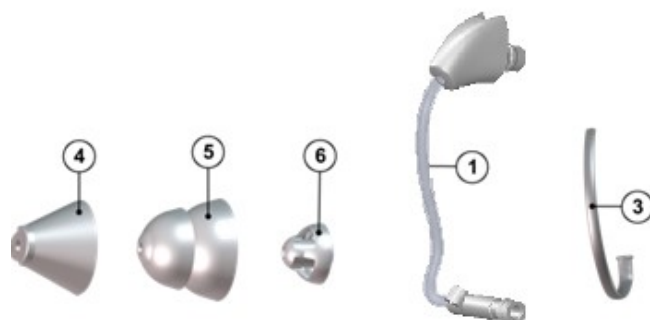
Spare part list housing



Pos.	Description	Item Code	Var. 1	Var. 2	Var. 3	Unit	
1	Housing compl. lewi S (printed)	033980		xxx		pcs.	18,00
				yyy			24,00
				zzz			18,00
		Lower case					
		Upper case, compl. [UpperCase + Microphone filter]					
		Rocker switch					
		Battery compartment					
		Type plate (lewi S printed)					
		Side marker, left side (blue)					
		right side (red)					
	Pin / l = 6.9 mm / Ø0.4 mm (2 pcs.)						
	Pin / l = 6.5 mm / Ø0.5 mm						
2	Pin / l = 6.9 mm / Ø0.4 mm (10 pcs.)	021852	2399		1833	set	0,10
3	Pin / l = 6.5 mm / Ø0.5 mm (10 pcs.)	021852	9728		2992	set	0,10
4	Earhook-holding ring	029833				pcs.	2,00
5	Earhook	029825				pcs.	5,00
6	Accessories-kit battery compartment (5 pcs.)	035533	002	xxx		set	15,00
				yyy			25,00
				zzz			15,00
6	Accessories-kit battery compartment (5 pcs.)	035533	285	xxx		set	10,00
				yyy			20,00
				zzz			10,00
	[Battery compartment + Side marker]						

xxx	yyy	zzz
Please specify requested colour:	Please specify requested colour:	Please specify requested colour:
313 beige	3127 champagne	311 charcoal
325 nougat	3159 graphite	
9817 silver grey	3381 arabica	
	3382 black	
	3120 bronze	

Spare part list thin tube

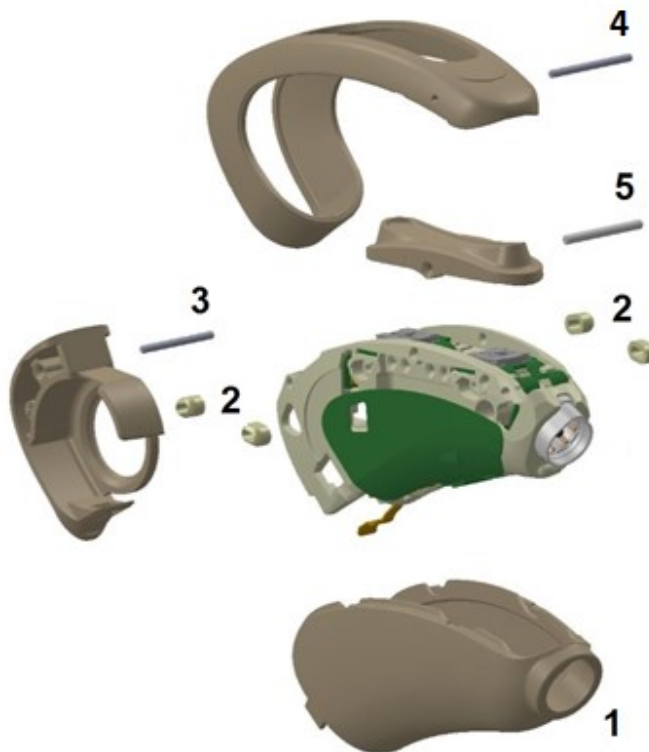


Pos.	Description	Item Code	Var. 1	Var. 2	Var. 3	Unit	
1	UniTip Thin Tube (5 pcs.)						
	length 0	029908		8430	xxx	set	
	length 1	029908		8431	xxx	set	10,00
	length 2	029908		8432	xxx	set	
	length 3	029908		9736	xxx	set	
3	Conchaclip (10 pcs.)	021951				set	5,00
4	UniTip Tulip Dome (10 pcs.)	021954				set	10,00
5	UniTip Power Dome (10pcs)	small	021956		403	set	
		medium	021956		284	set	10,00
		large	021956		404	set	
6	UniTip Dome, (10 pcs.)	size 5	021955		349	set	
		size 7	021955		351	set	10,00
		size10	021955		348	set	

xxx	Please specify requested side:
358	right
357	left

lewi R

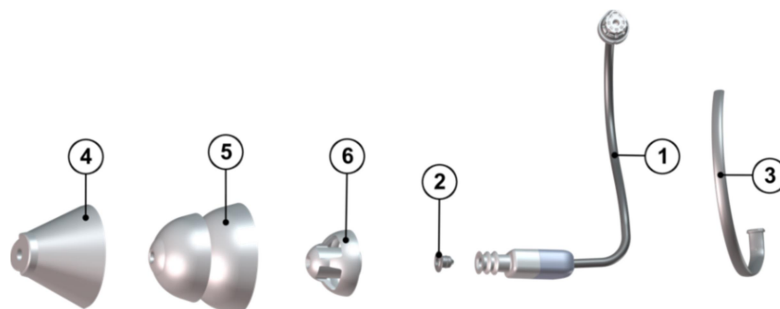
Spare part list housing



Pos.	Description	Item Code	Var. 1	Var. 2	Var. 3	Unit	
1	Housing complete lewi R (printed)	033978		xxx yyy zzz		pcs.	18,00 24,00 18,00
	Lower case (lewi R printed)						
	UpperCase						
	Rocker switch						
	Battery compartment						
	Pin / l = 5,6 mm / Ø0.5 mm						
	Pin / l = 6,35 mm / Ø0.5 mm						
	Pin / l = 6 mm / Ø0.6 mm						
2	Microphone seal (10 pcs.)	021754				set	7,00
3	Pin / l = 5,6 mm / Ø0.5 mm (10 pcs.)	021852	8669	1720	2992	set	0,10
4	Pin / l = 6,35 mm / Ø0.5 mm (10 pcs.)	021852	8353		2992	set	0,10
5	Pin / l = 6 mm / Ø0.6 mm (10 pcs.)	021852	257		2343	set	0,10

xxx	yyy	zzz
Please specify requested colour:	Please specify requested colour:	Please specify requested colour:
313 beige	3127 champagner	311 charcoal
325 nougat	3159 graphite	
9817 silver grey	3381 arabica	
	3382 black	
	3120 bronze	

Spare part list receiver unit



Pos.	Description	Item Code	Var. 1	Var. 2	Var. 3	Unit	
1	Receiver unit S (incl. cerumen prot. and conchalip)						
	length 0	021957		8430	xxx	pcs.	25,00
	length 1	021957		8431	xxx	pcs.	
	length 2	021957		8432	xxx	pcs.	
length 3	021957		9736	xxx	pcs.		
1	Receiver unit M (incl. cerumen prot. and conchalip)						
	length 0	021958		8430	xxx	pcs.	25,00
	length 1	021958		8431	xxx	pcs.	
	length 2	021958		8432	xxx	pcs.	
length 3	021958		9736	xxx	pcs.		
1	Receiver unit P (incl. cerumen prot. and conchalip)						
	length 0	030016		8430	xxx	pcs.	30,00
	length 1	030016		8431	xxx	pcs.	
	length 2	030016		8432	xxx	pcs.	
length 3	030016		9736	xxx	pcs.		
2	Cerumen protection (8 pcs. and changing tool)	000234				set	3,50
3	Conchaclip (10 pcs.)	021951				set	5,00
4	UniTip Tulip Dome (10 pcs.)	021954				set	10,00
5	UniTip Power Dome (10 pcs.)	small	021956		403	set	10,00
		medium	021956		284	set	
		large	021956		404	set	
6	UniTip Dome (10 pcs.)	size 5	021955		349	set	10,00
		size 7	021955		351	set	
		size10	021955		348	set	

xxx	Please specify requested side:
358	right
357	left